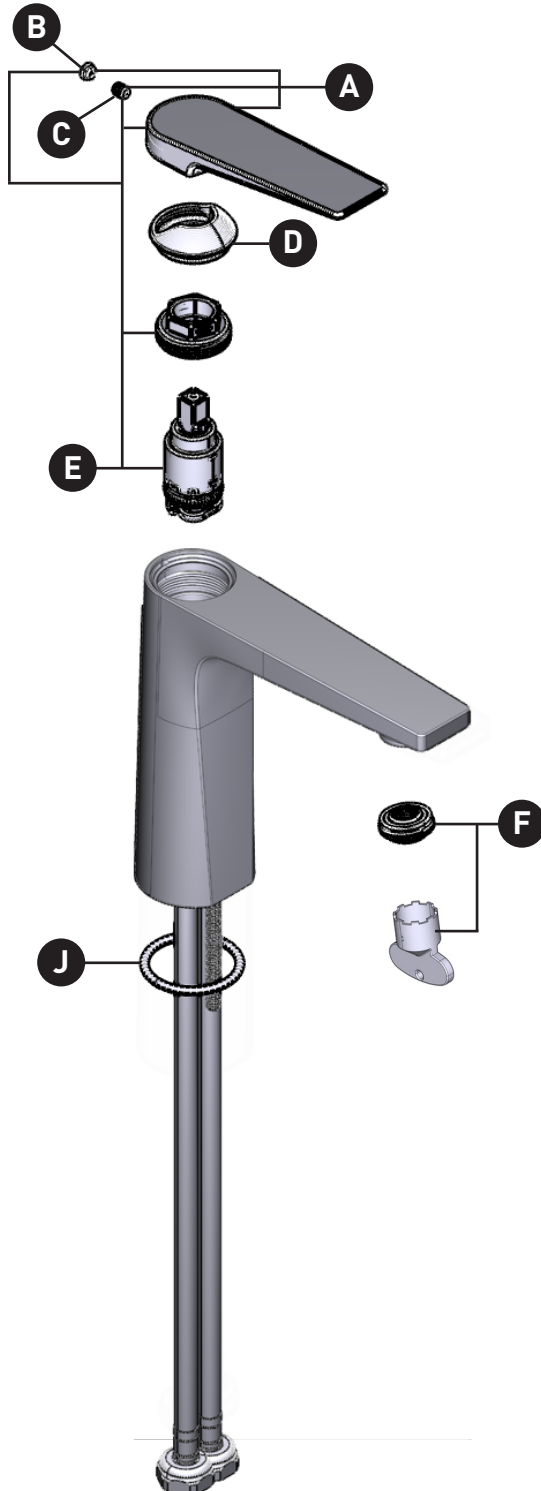
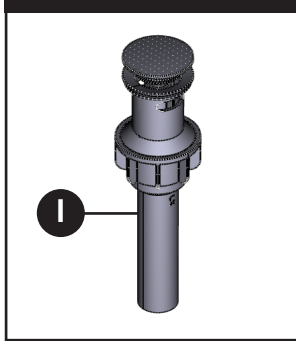


### BERAT

One-Handle Single Mount Lavatory Faucet  
6740 Series

ORDER BY PART NUMBER

#### WASTE ASSEMBLIES



ID	Kit Number	Finish
*A	219228	See Below
*B	219229	See Below
C	155023	N/A
*D	219230	See Below
E	219231	N/A
F	180157	N/A
G	174162	N/A
H	118305	N/A
*I	213522	See Below
J	150567	N/A

**\*Finish Determined by Suffix**

Finish	Description
No Suffix	Chrome
BL	Matte Black
BZG	Bronzed Gold
BN	Brushed Nickel